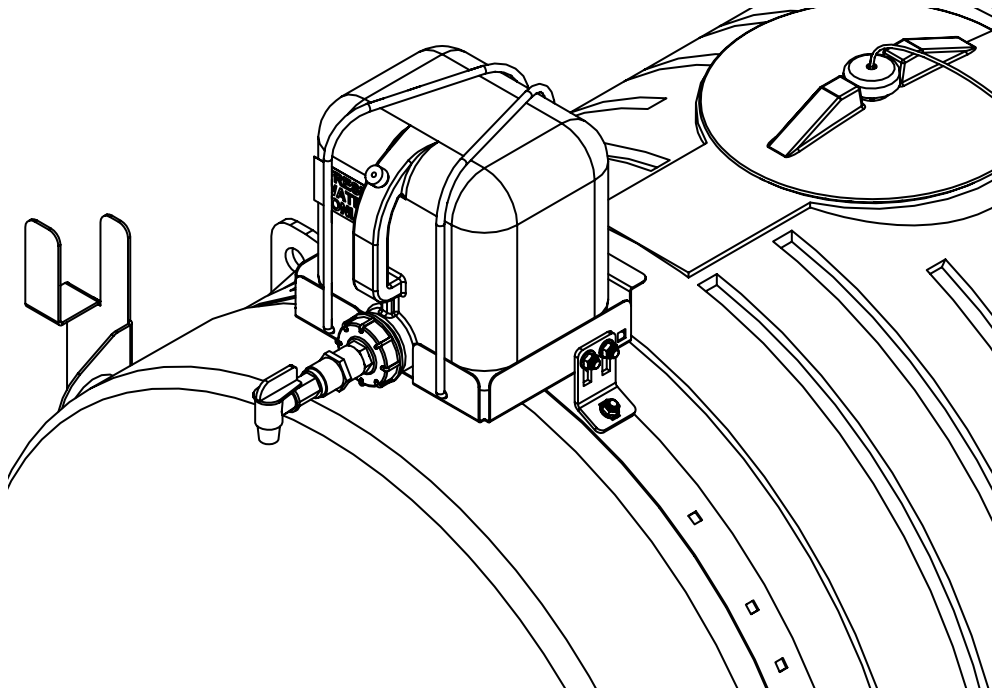


Assembly Instruction Manual

Fresh water safety tank kit, 2.5 gallons
Model: A116K



Manufactured by PBZ LLC
A Paul B Zimmerman Inc. Company
www.CropCareEquipment.com

A116K Assembly Instructions

Subject

The purpose of this document is to show the procedure for installing the fresh water safety kit onto a 3PT sprayer (110-300 gallon capacity).

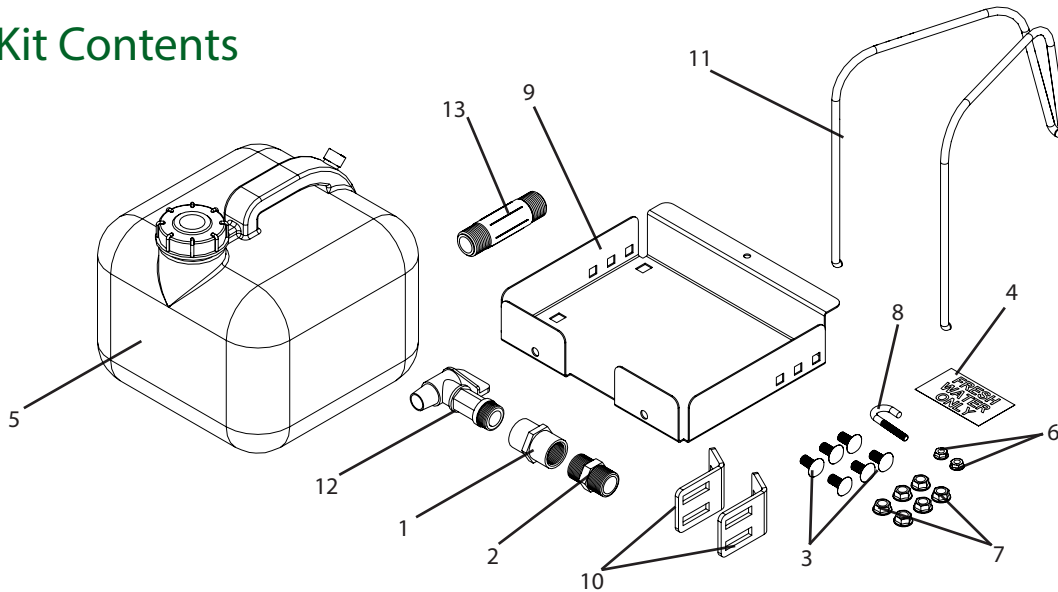
Installation Time:

- Approximately 1 hour

Recommended Tools

- 3/16" Drill bit
- 5/8" Drill bit
- Battery or electric powered drill
- 9/16" socket or wrench
- 7/16" socket or wrench
- Adjustable wrench or pliers
- Pipe sealant
- Thread tape

A116K Kit Contents

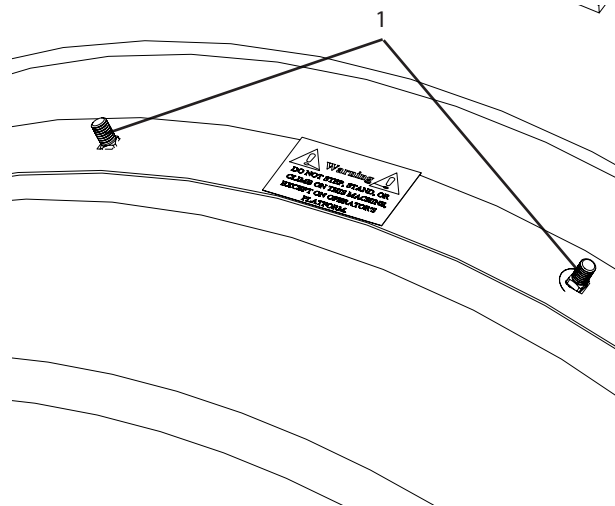
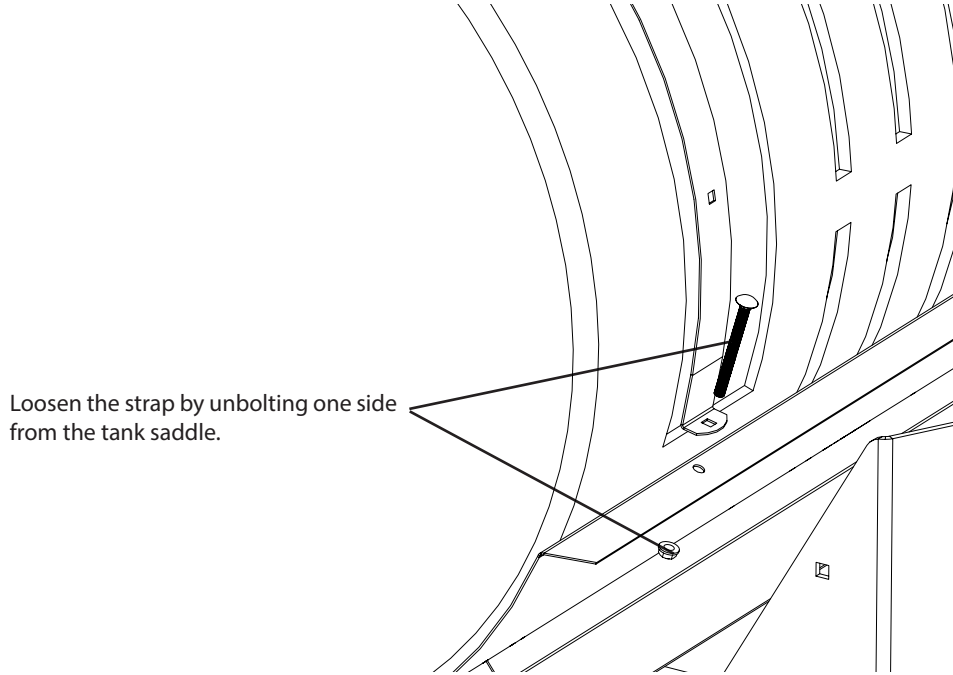


Ref#	Qty.	Part Number	Description
1	1	8FC34	Coupling, 3/4" FPT Sch 80 Poly
2	1	8M34	Nipple, 3/4" MPT x Close Sch 80 Poly
3	6	CB38*34G5	Bolt, Carriage 3/8-16 x 3/4" Gr 5
4	1	DE21	Decal, "Fresh Water Only"
5	1	F2503	Tank, 2.5 Gal White Foamer
6	2	FN14	Nut, Flange 1/4-20
7	6	FN38	Nut, Flange 3/8-16
8	1	N232884	Bolt, J-Bolt 1/4-20 x 2 5/16" Zinc
9	1	T555	Tank pan, black, for 2.5 gal fresh water
10	2	T555A	Brace, black, for 2.5 gallon tank pan
11	1	T555B	Bungee cord, 5/16" x 36" long, fresh water kit
12	1	VDB34	Valve, Drum & Barrel 3/4" MPT PVC White
13	1	8M34*4	Nipple, 3/4" MPT x 4" Sch 80 Poly

A116K Assembly Instructions

Step 1

- Loosen the strap over the tank, so that there is room to fit bolts underneath the strap.
- The safety rinse tank can be installed on either side of the sprayer, but CropCare® recommends the left side of the sprayer (The left side when facing in the direction of travel while spraying).

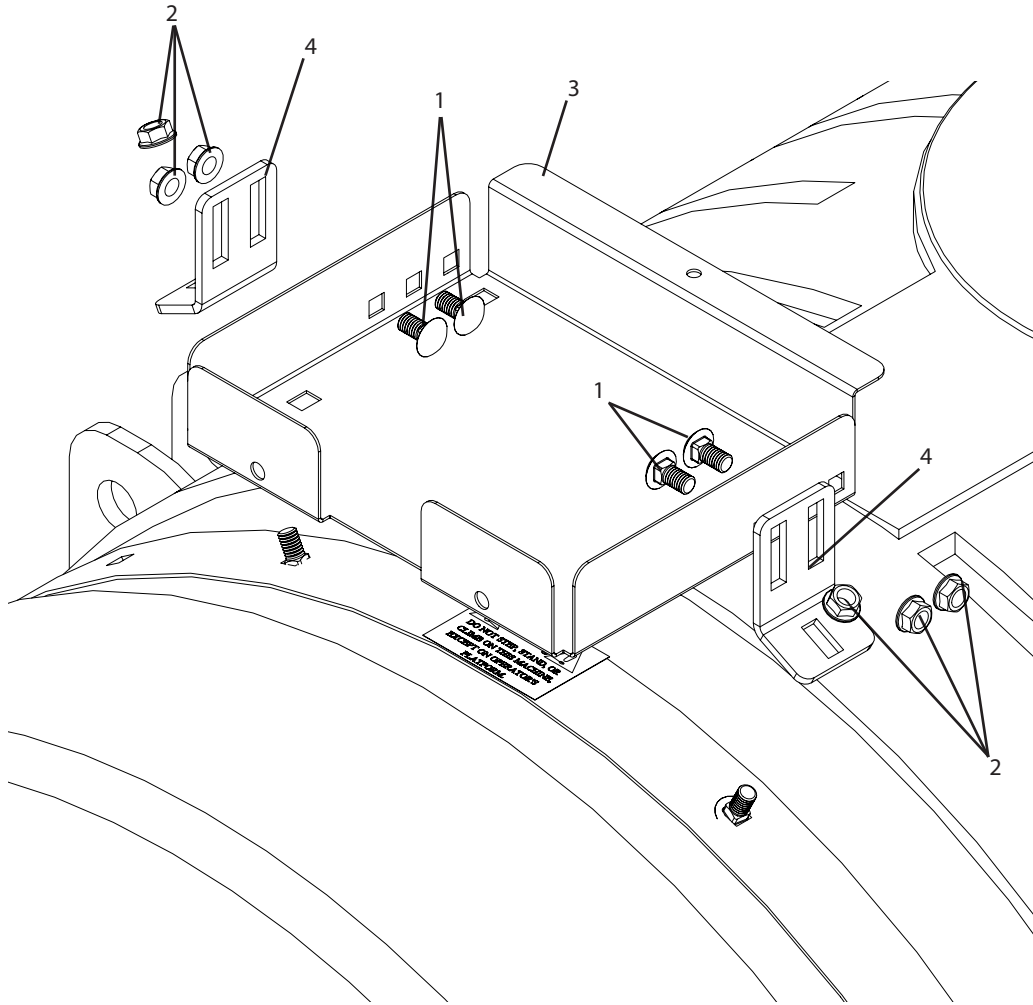


Ref#	Qty.	Part Number	Description
1	2	CB38*34G5	Bolt, Carriage 3/8-16 x 3/4" Gr 5

A116K Assembly Instructions

Step 2

- Bolt together tank pan and braces onto the tank strap. Before completely tightening the bolts, refasten the strap to the saddle.

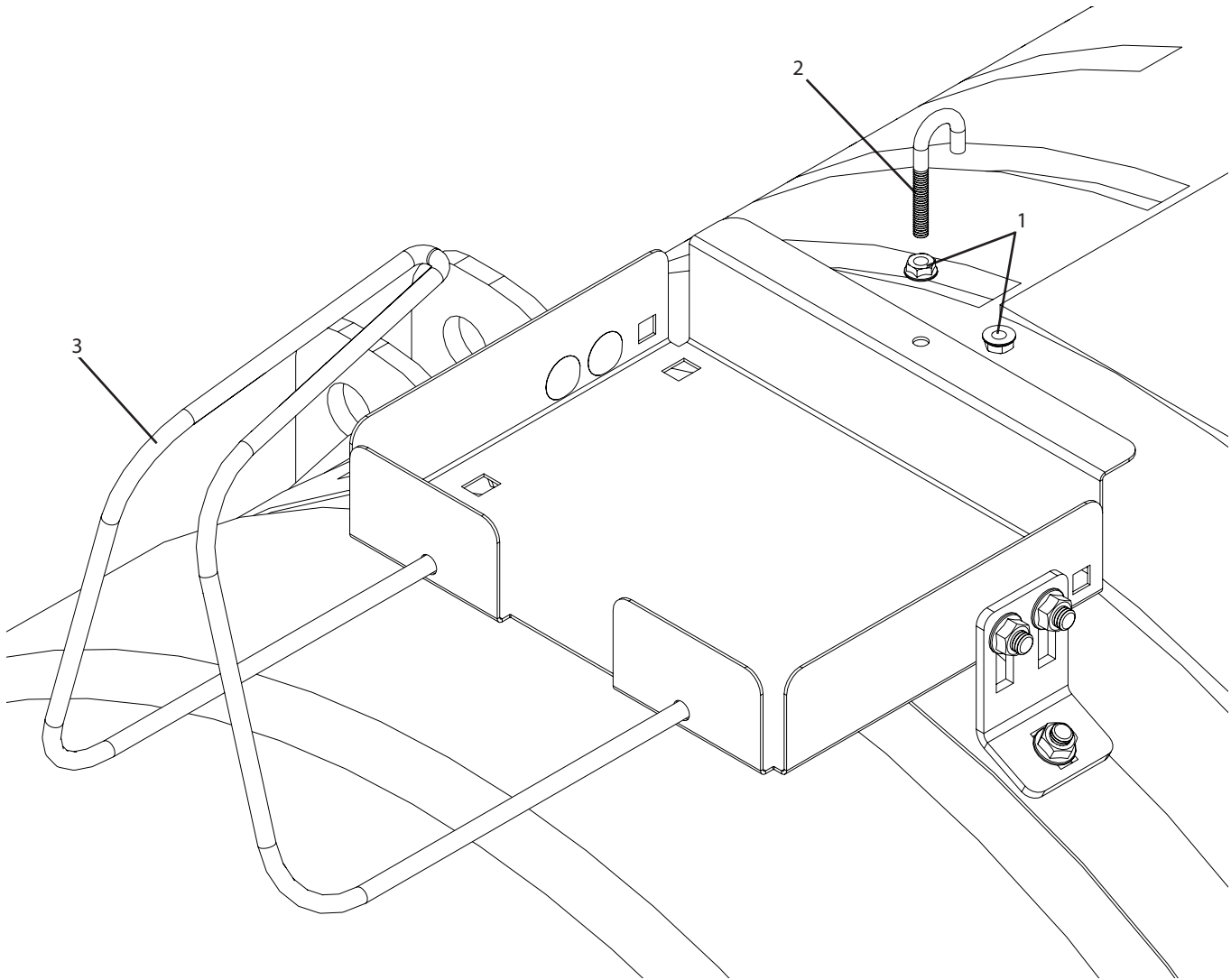


Ref#	Qty.	Part Number	Description
1	4	CB38*34G5	Bolt, Carriage 3/8-16 x 3/4" Gr 5
2	6	FN38	Nut, Flange 3/8-16
3	1	T555	Tank pan, black, for 2.5 gal fresh water
4	2	T555A	Brace, black, for 2.5 gallon tank pan

A116K Assembly Instructions

Step 3

- Install J-bolt on the tank pan.
- Knot one end of the bungee chord, and rout through the holes. Then knot the other end.

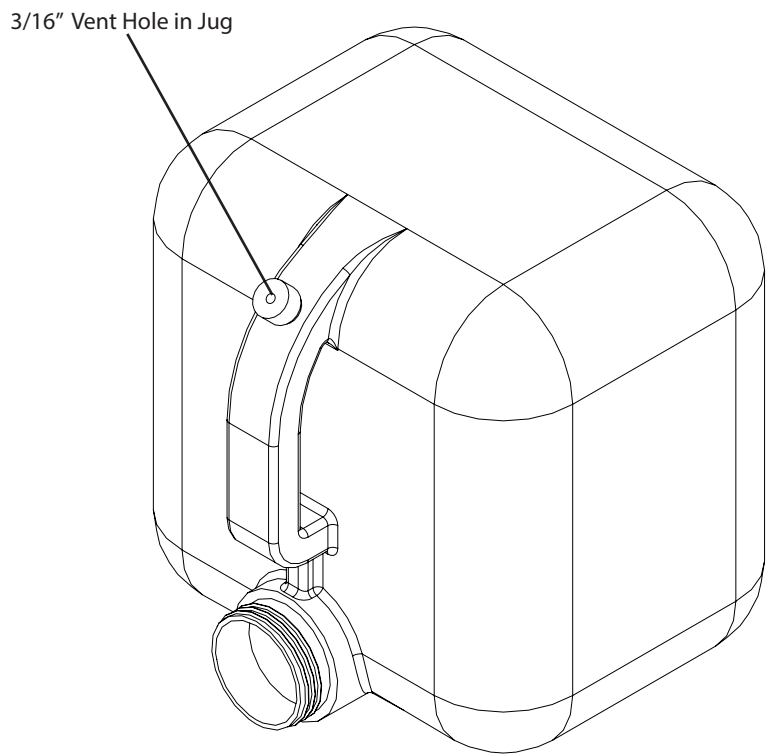
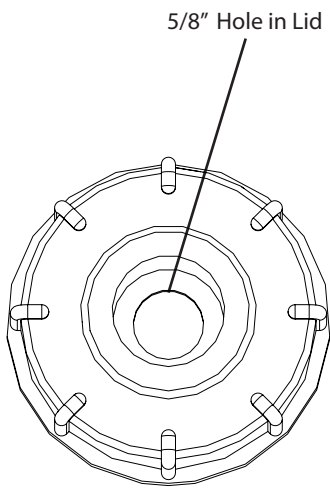


Ref#	Qty.	Part Number	Description
1	2	FN14	Nut, Flange 1/4-20
2	1	N232884	Bolt, J-Bolt 1/4-20 x 2 5/16" Zinc
3	1	T555B	Bungee cord, 5/16" x 36" long, fresh water kit

A116K Assembly Instructions

Step 4

- Drill a 3/16" vent hole in the jug.
- Drill a 5/8" hole in the lid

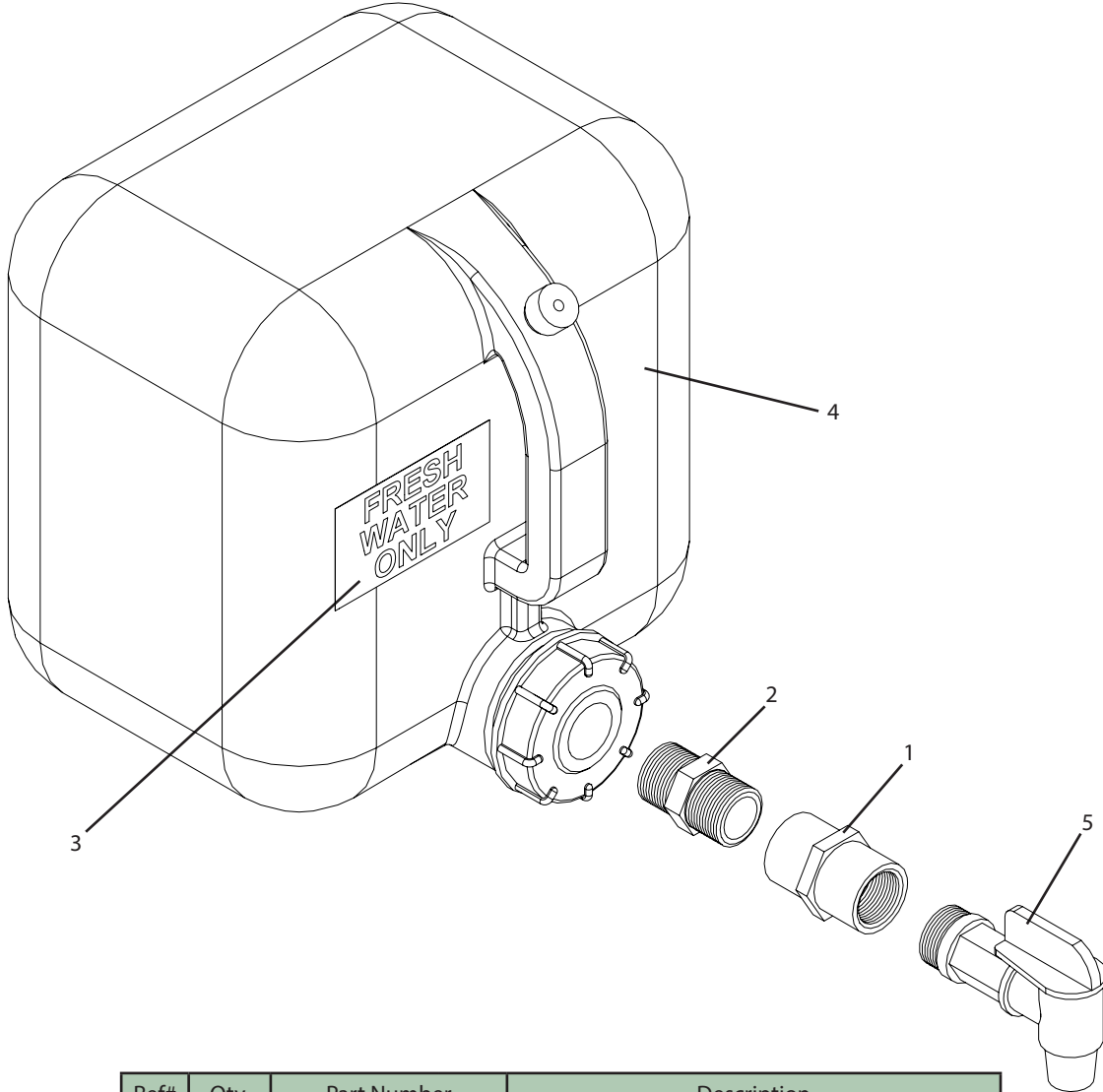


Ref#	Qty.	Part Number	Description
1	1	F2503	Tank, 2.5 Gal White Foamer

A116K Assembly Instructions

Step 5

- Thread fittings into tank lid. The fittings shown (Items 1 and 2) are necessary for a 300 gallon tank to clear the end of the tank (if used on a 200 gallon tank, use item 6 instead of item 2). If used on a 110 or 150 gallon tank there is no need to install items 1, 2, or 6. Use tape and sealant on threads.
- Apply decal to the tank.



Ref#	Qty.	Part Number	Description
1	1	8FC34	* Coupling, 3/4" FPT Sch 80 Poly
2	1	8M34	* Nipple, 3/4" MPT x Close Sch 80 Poly
3	1	DE21	Decal, "Fresh Water Only"
4	1	F2503	Tank, 2.5 Gal White Foamer
5	1	VDB34	Valve, Drum & Barrel 3/4" MPT PVC White
6	1	8M34*4	* Nipple, 3/4" MPT x 4" Sch 80 Poly

* Shown for use on a 300 gallon tank. Install fittings as needed to clear the end of the tank. If installing on a 110 or 150 gallon tank you do not need these fittings.

A116K Assembly Instructions

Step 6

- Place the assembled jug from the previous step in the tank pan, and secure with the bungee strap as shown.

